

Barracuda Web Application Firewall Hardware Features

<https://campus.barracuda.com/doc/4259879/>

System hardware features include front and back panel controls, ports and LED indicators on the Barracuda Web Application Firewall.

Front Panel Features of Model 360 / 460

The following figure shows the front panel components of Model 360 and 460 described in [Table 1](#).



Table 1

Diagram Location	Description
1	On/Off button
2	Reset button
3	Power Indicator
4	Disk Activity
5	Management Network Activity
6	Indicates System Bypass Mode
7	Indicates a Failed Status of the System
8	LAN Port
9	WAN Port

Back Panel Features of Model 360 / 460

The following figure shows the back panel components described in [Table 2](#).

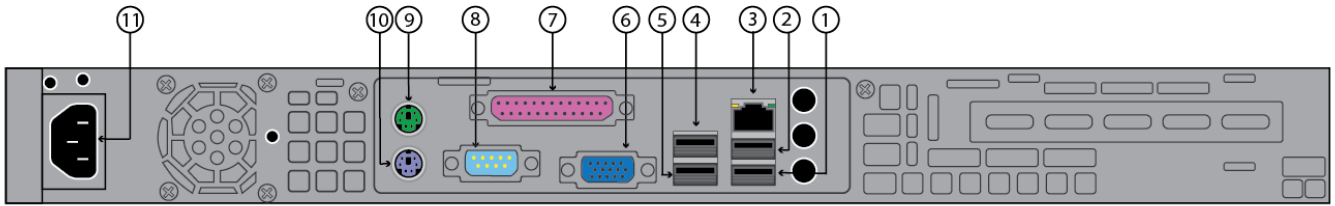
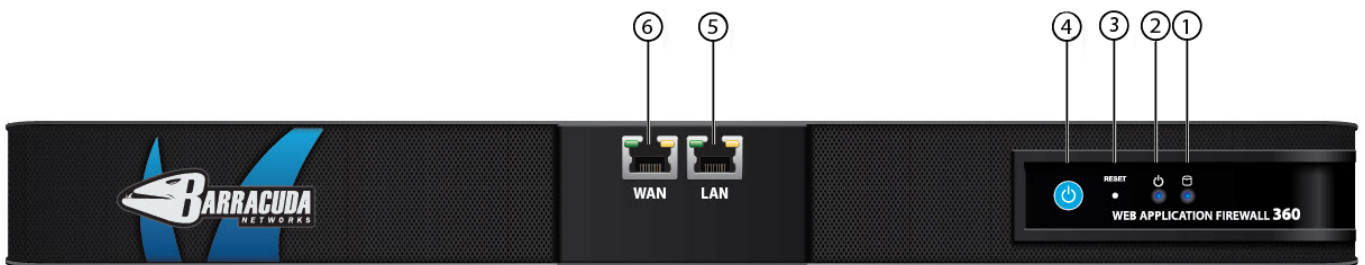


Table 2

Diagram Location	Description
1	Unused USB Port
2	Unused USB Port
3	Unused Network Port
4	Unused USB Port
5	Unused USB Port
6	VGA Display (console)
7	Unused Printer Port
8	Serial Port
9	Mouse
10	Keyboard
11	Power Supply

If your system was shipped during or after **January 2013**, the Front Panel is as follows:



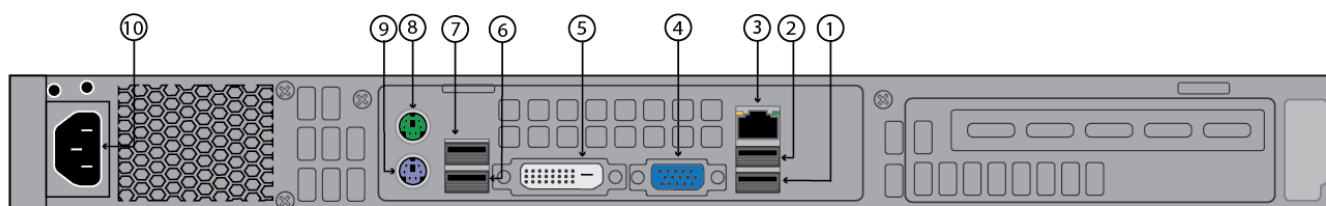
The components are described in [Table 3](#).

Table 3

Diagram Location	Description
1	Disk Activity

2	Power Indicator
3	Reset button
4	On/Off button
5	LAN Port
6	WAN Port

The Back Panel is as follows:



The components are described in [Table 4](#).

Table 4

Diagram Location	Description
1	Unused USB Port
2	Unused USB Port
3	Management Port
4	VGA Display (console)
5	DVI Port
6	Unused USB Port
7	Unused USB Port
8	Mouse
9	Keyboard
10	Power Supply

Front Panel Features of Model 660

The following figure shows the front panel components described in [Table 5](#).



Table 5

Diagram Location	Description
1	On/Off button
2	Reset button
3	Power Indicator
4	Disk Activity
5	Unused LED
6	Indicates System Bypass Mode
7	Indicates a Failed Status of the System
8	WAN Port
9	LAN Port

Back Panel Features of Model 660

The following figure shows the back panel components described in [Table 6](#).

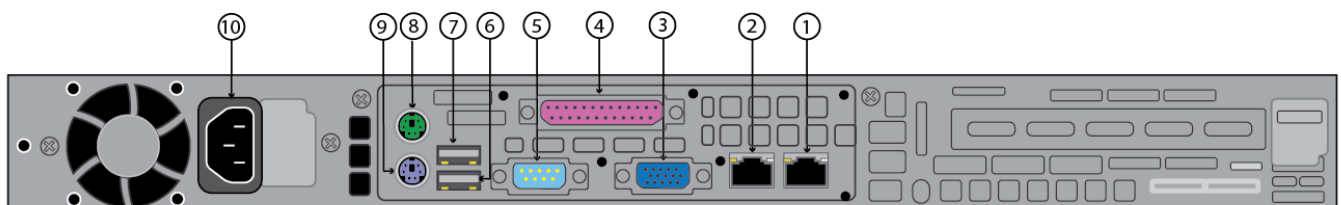


Table 6

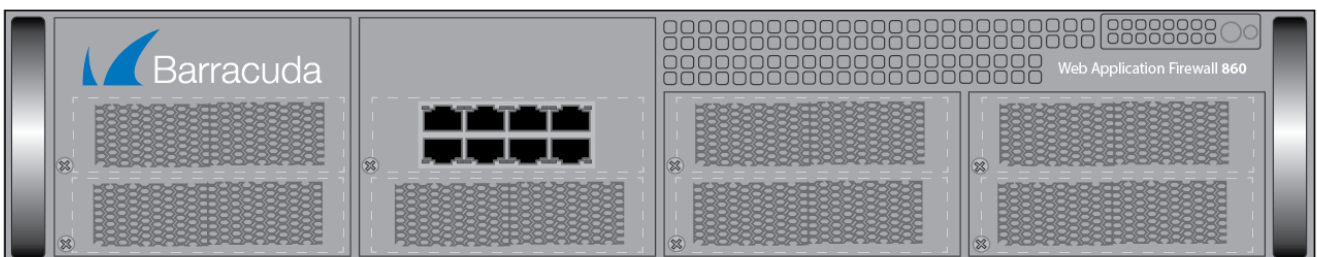
Diagram Location	Description
------------------	-------------

1	Management Port 1
2	Management Port 2
3	VGA Display (console)
4	Unused Printer Port
5	Serial Port
6	Unused USB Port
7	Unused USB Port
8	Mouse
9	Keyboard
10	Power Supply

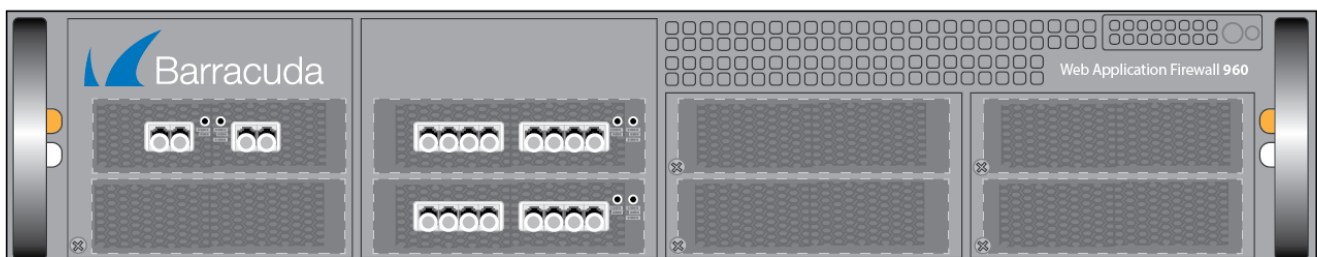
Front Panel Features of Model 86x and 96x

In the multiport appliances, ports other than LAN/WAN/MGMT may not show link up, unless there is an IP address configured on it. In such a case, it is recommended to create custom virtual interface for those ports in the **NETWORK > Interfaces** page.

The following figure show the front panel of the Model 860:



The following figure show the front panel of the Model 960:



The following figure shows the front panel components of the Model 86x and 96x described in [Table 7](#).

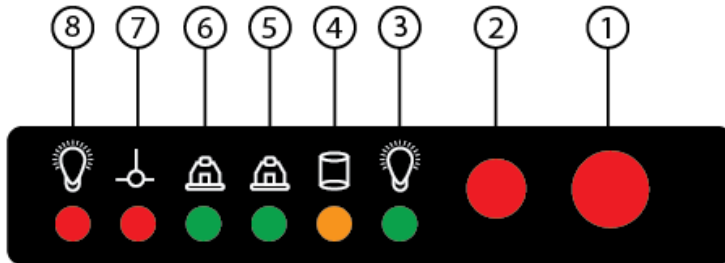


Table 7

Diagram Location	Description
1	On/Off button
2	Reset button
3	Power Indicator
4	Disk Activity
5	Management Network Activity Port
6	Unused Network Port
7	Unused LED
8	Unused LED

In the Barracuda Web Application Firewall 861, 862, 961 and 962, when the unit is forced into a **Bypass on Failure** or **Hard Bypass** state, the Bypass LED on the front panel will not be lit.

Back Panel Features of Model 86x and 96x - Ethernet Interface

The following figure shows the back panel components of Model 86x and 96x with ethernet interface described in [Table 8](#).

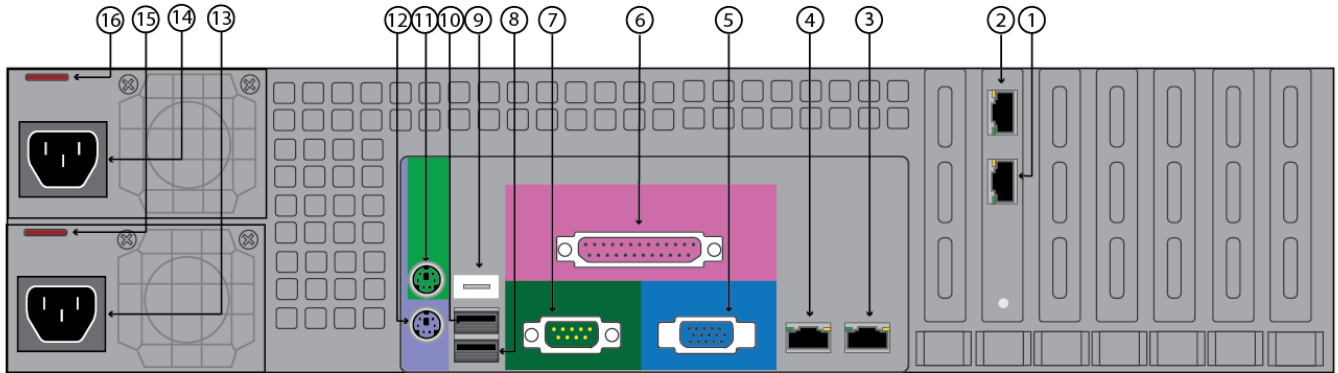


Table 8

Diagram Location	Description
1	WAN Port
2	LAN Port
3	Management Port
4	Unused Network Port
5	VGA Display (console)
6	Unused Printer Port
7	Serial Port
8 and 9	Unused USB Port
10	Not Connected
11	Mouse
12	Keyboard
13 and 14	Redundant Power Supply
15 and 16	Power Indicator Lights This displays: <ul style="list-style-type: none"> • <i>Green</i> light when the system is powered on and the power supply is healthy. • <i>Orange/Amber</i> light = the power supply is degraded, such as, for example, one of the two PSUs is not functioning. Pushing the Reset button may solve the problem; otherwise one of the PSUs should be replaced. • <i>No light</i> = the power supply is not working.

Back Panel Features of Model 86x and 96x - Fiber Interface

The following figure shows the back panel components of Model 86x and 96x with fiber interface described in [Table 9](#).

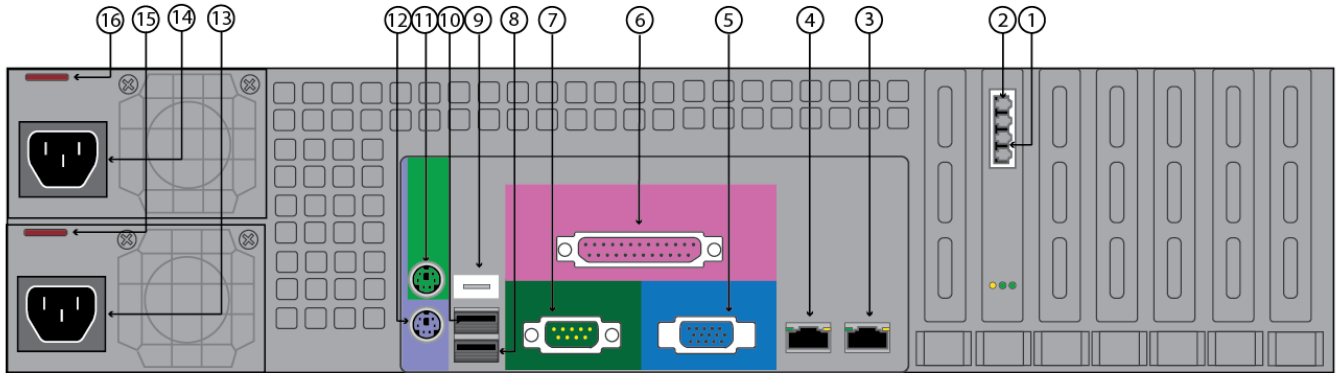


Table 9

Diagram Location	Description
1	Fiber WAN Port
2	Fiber LAN Port
3	Unused Network Port
4	Management Port
5	VGA Display (console)
6	Unused Printer Port
7	Serial Port
8 and 9	Unused USB Port
10	Not Connected
11	Mouse
12	Keyboard
13 and 14	Redundant Power Supply
15 and 16	Power Indicator Lights This displays: <ul style="list-style-type: none"> • <i>Green</i> light when the system is powered on and the power supply is healthy. • <i>Orange/Amber</i> light = the power supply is degraded, such as, for example, one of the two PSUs is not functioning. Pushing the Reset button may solve the problem; otherwise one of the PSUs should be replaced. • <i>No light</i> = the power supply is not working.

Hardware Compliance

This section contains compliance information for the Barracuda Web Application Firewall hardware.



Notice for the USA

Compliance Information Statement (Declaration of Conformity Procedure) DoC FCC Part 15: This device complies with part 15 of the FCC Rules.

Operation is subject to the following conditions:

1. This device may not cause harmful interference, and
2. This device must accept any interference received including interference that may cause undesired operation. If this equipment does cause harmful interference to radio or television reception, which can be determined by turning the equipment off and on, the user is encouraged to try one or more of the following measures:
 - Reorient or relocate the receiving antenna.
 - Increase the separation between the equipment and the receiver.
 - Plug the equipment into an outlet on a circuit different from that of the receiver.
 - Consult the dealer or an experienced radio/ television technician for help.

Notice for Canada

This apparatus complies with the Class B limits for radio interference as specified in the Canadian Department of Communication Radio Interference Regulations.



Notice for Europe (CE Mark)

This product is in conformity with the Council Directive 89/336/EEC, 92/31/EEC (EMC).

Figures

1. bws_360_original.png
2. bws_360_back_old.png
3. bwaf_360_front_new.png
4. bfw_360_460_back_new.png
5. bfw_660_front_new.png
6. bfw_660_back_new.png
7. waf_860_front-01.png
8. waf_960_front-01.png
9. front_panel-86x-96x.png
10. bwaf_860_960_back_panel_ethernet_interface.png
11. bwaf_860_960_back_panel_fiber_interface.png
12. fcc_logo.jpg
13. ce_logo.jpg

© Barracuda Networks Inc., 2020 The information contained within this document is confidential and proprietary to Barracuda Networks Inc. No portion of this document may be copied, distributed, publicized or used for other than internal documentary purposes without the written consent of an official representative of Barracuda Networks Inc. All specifications are subject to change without notice. Barracuda Networks Inc. assumes no responsibility for any inaccuracies in this document. Barracuda Networks Inc. reserves the right to change, modify, transfer, or otherwise revise this publication without notice.